

SINGLE BLOWERS

HEIGHT 114 mm

260 m³/h

Applications
HVAC Systems

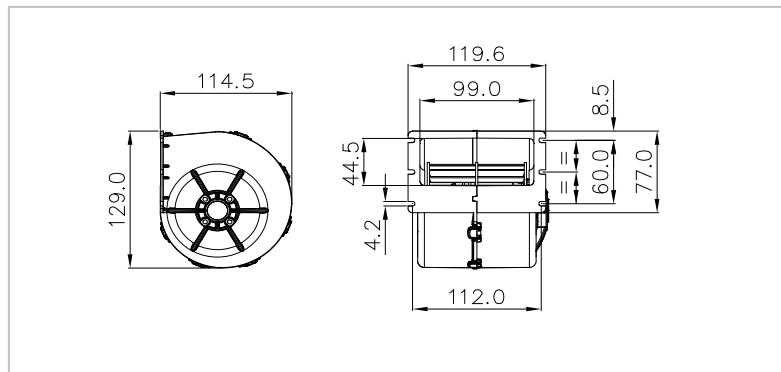
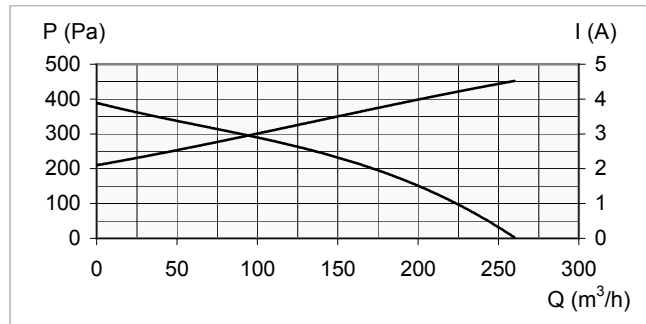
Features
High Pressure
Compact Design
High Efficiency

Options
PWM Speed Control
EMC (Certified)
Thermal Protector

12V

Part Number 6401812 ONE SPEED

Test Voltage	V	13,0
Nominal Current	A	4,5
Nominal Speed	rpm	3.600
Max. St. Pressure	Pa	390
Max. Airflow	m ³ /h	260
Weight	kg	0,7

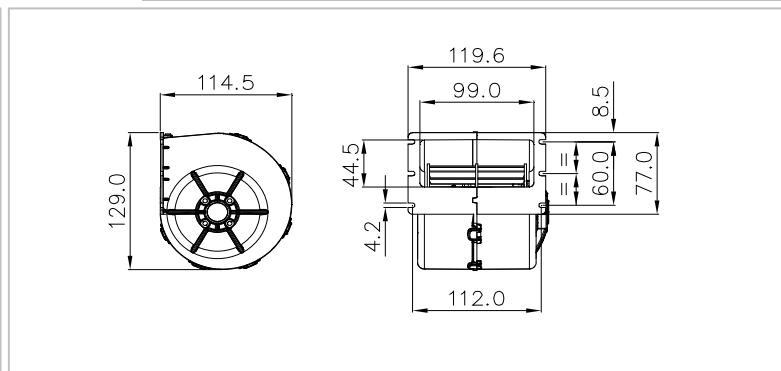
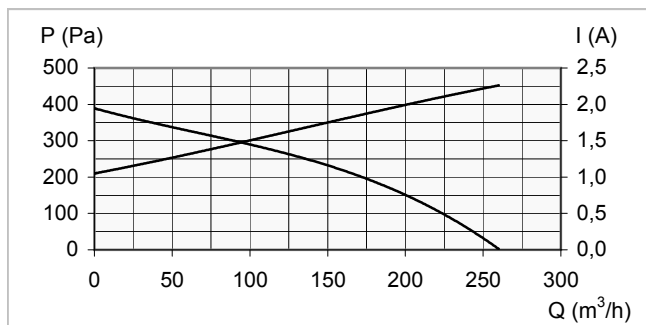


Relevant Codes :

24V

Part Number 6401813 ONE SPEED

Test Voltage	V	26,0
Nominal Current	A	2,2
Nominal Speed	rpm	3.600
Max. St. Pressure	Pa	390
Max. Airflow	m ³ /h	260
Weight	kg	0,7



Relevant Codes :

SINGLE BLOWERS

HEIGHT 114 mm

260 m³/h

Applications
HVAC Systems

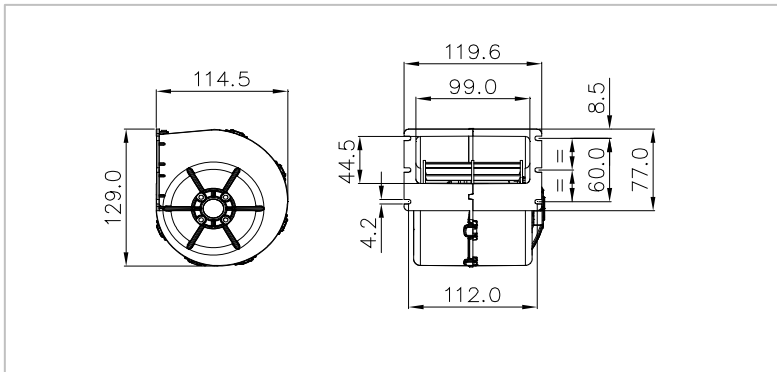
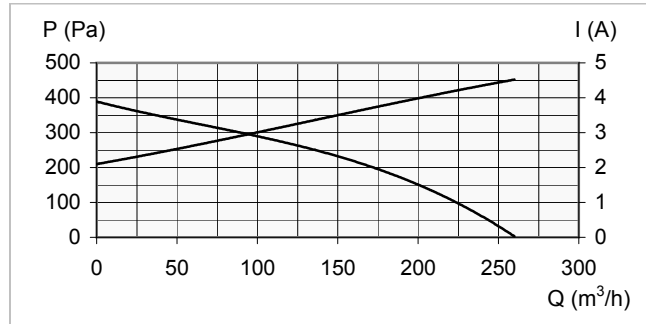
Features
High Pressure
Compact Design
High Efficiency

Options
PWM Speed Control
EMC (Certified)
Thermal Protector

12V

Part Number 6401814 THREE SPEED

Test Voltage	V	13,0
Nominal Current	A	4,5
Nominal Speed	rpm	3.600
Max. St. Pressure	Pa	390
Max. Airflow	m ³ /h	260
Weight	kg	0,8
Airflow Rates	%	100-85-75

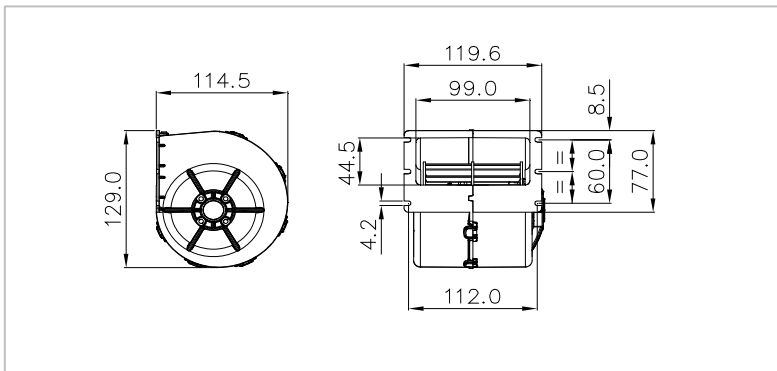
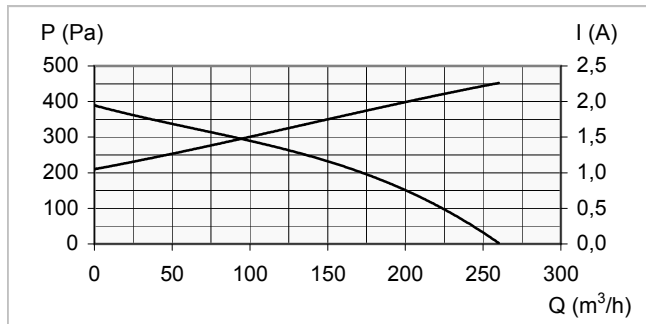


Relevant Codes : 6401810 (Different Harness)

24V

Part Number 6401815 THREE SPEED

Test Voltage	V	26,0
Nominal Current	A	2,2
Nominal Speed	rpm	3.600
Max. St. Pressure	Pa	390
Max. Airflow	m ³ /h	260
Weight	kg	0,8
Airflow Rates	%	100-85-75



Relevant Codes :

2 x SINGLE BLOWERS

WIDTH 310 mm

650 m³/h

Applications
HVAC Systems

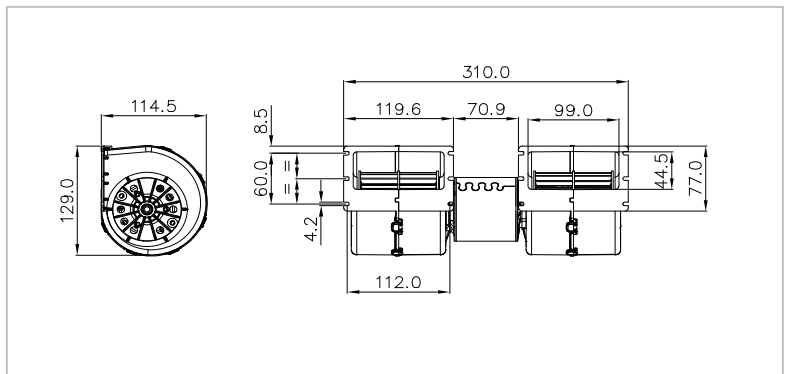
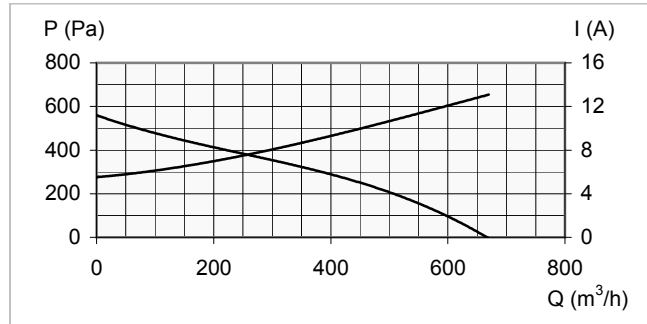
Features
High Pressure
Compact Design
High Efficiency

Options
PWM Speed Control
EMC (Certified)
Thermal Protector

12V

Part Number 6401816 ONE SPEED

Test Voltage	V	13,0
Nominal Current	A	13,0
Nominal Speed	rpm	3.750
Max. St. Pressure	Pa	560
Max. Airflow	m ³ /h	665
Weight	kg	1,4

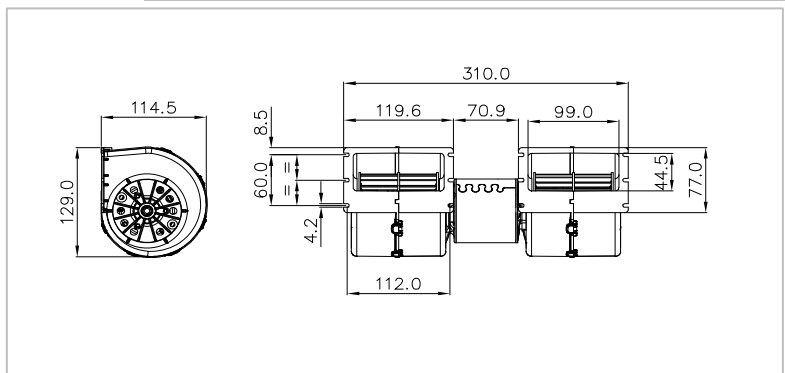
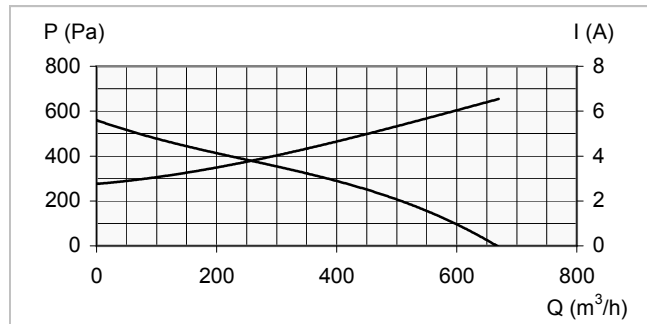


Relevant Codes :

24V

Part Number 6401817 ONE SPEED

Test Voltage	V	26,0
Nominal Current	A	6,5
Nominal Speed	rpm	3.750
Max. St. Pressure	Pa	560
Max. Airflow	m ³ /h	665
Weight	kg	1,4



Relevant Codes :

2 x SINGLE BLOWERS

WIDTH 310 mm

650 m³/h

Applications
HVAC Systems

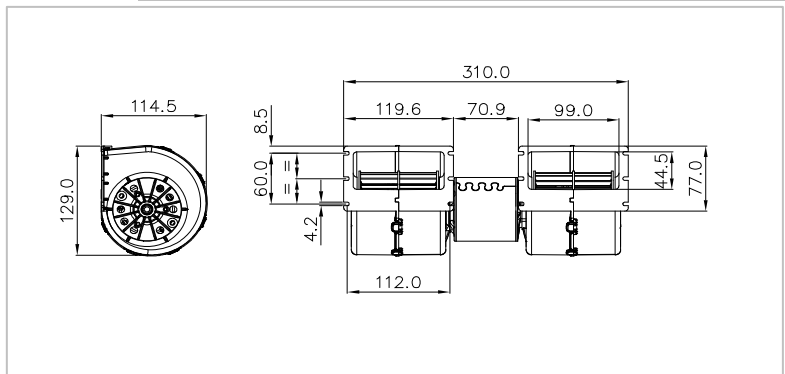
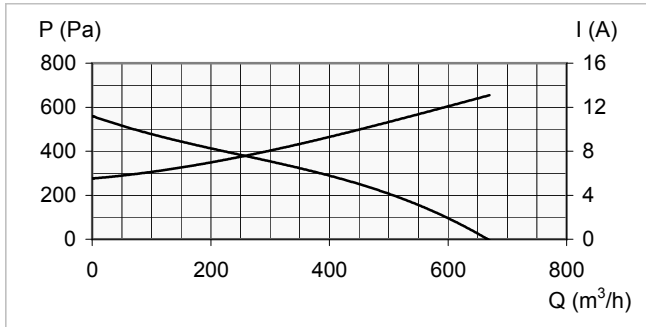
Features
High Pressure
Compact Design
High Efficiency

Options
PWM Speed Control
EMC (Certified)
Thermal Protector

12V

Part Number 6401818 THREE SPEED

Test Voltage	V	13,0
Nominal Current	A	13,0
Nominal Speed	rpm	3.750
Max. St. Pressure	Pa	560
Max. Airflow	m ³ /h	665
Weight	kg	1,5
Airflow Rates	%	100-70-57

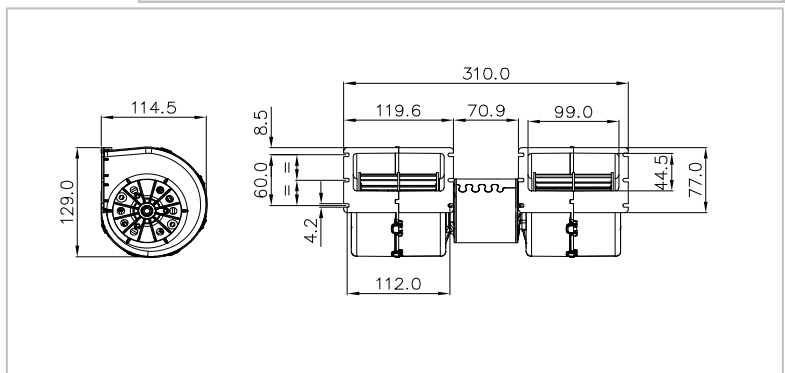
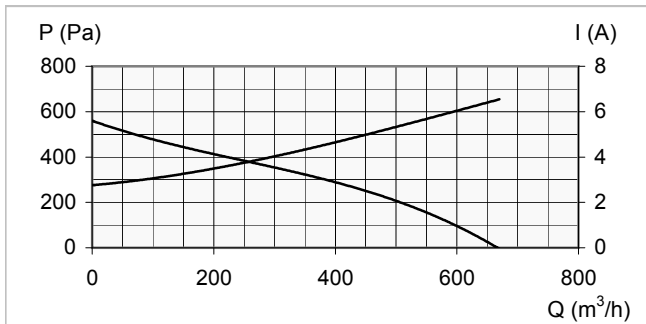


Relevant Codes :

24V

Part Number 6401819 THREE SPEED

Test Voltage	V	26,0
Nominal Current	A	6,5
Nominal Speed	rpm	3.750
Max. St. Pressure	Pa	560
Max. Airflow	m ³ /h	665
Weight	kg	1,5
Airflow Rates	%	100-70-57



Relevant Codes :

2 x SINGLE BLOWERS

WIDTH 310 mm

750 m³/h

Applications
HVAC Systems

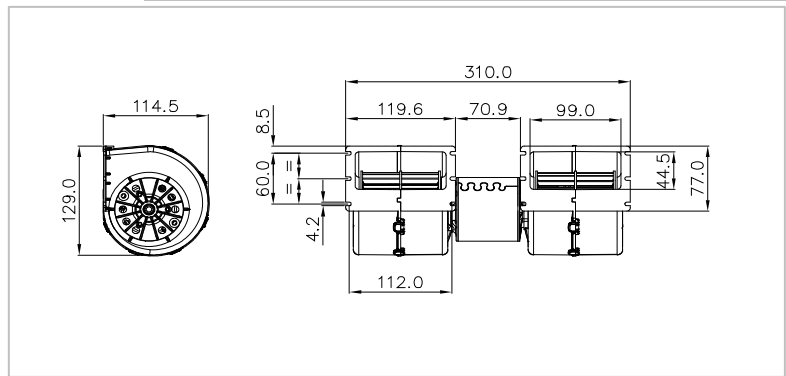
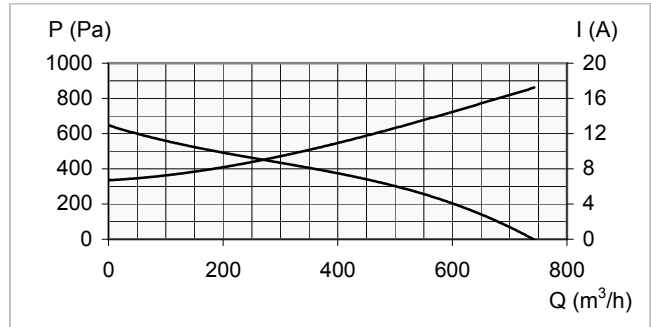
Features
High Pressure
Compact Design
High Efficiency

Options
PWM Speed Control
EMC (Certified)
Thermal Protector

12V

Part Number 6401820 ONE SPEED

Test Voltage	V	13,0
Nominal Current	A	17,0
Nominal Speed	rpm	4.150
Max. St. Pressure	Pa	650
Max. Airflow	m ³ /h	745
Weight	kg	1,4

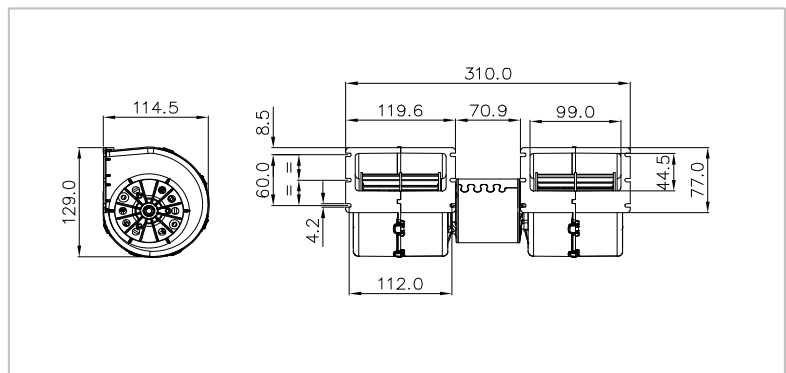
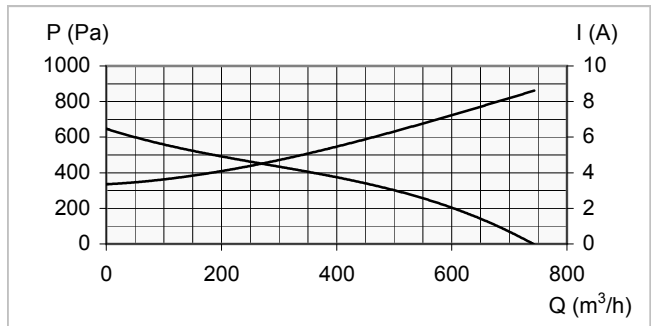


Relevant Codes :

24V

Part Number 6401821 ONE SPEED

Test Voltage	V	26,0
Nominal Current	A	8,5
Nominal Speed	rpm	4.150
Max. St. Pressure	Pa	650
Max. Airflow	m ³ /h	745
Weight	kg	1,4



Relevant Codes :

2 x SINGLE BLOWERS

WIDTH 310 mm

750 m³/h

Applications
HVAC Systems

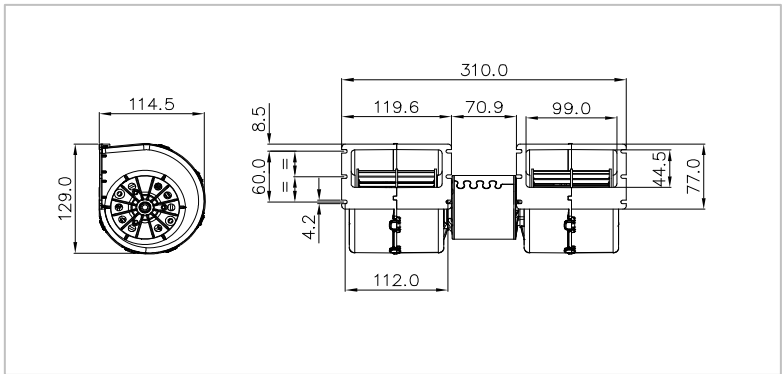
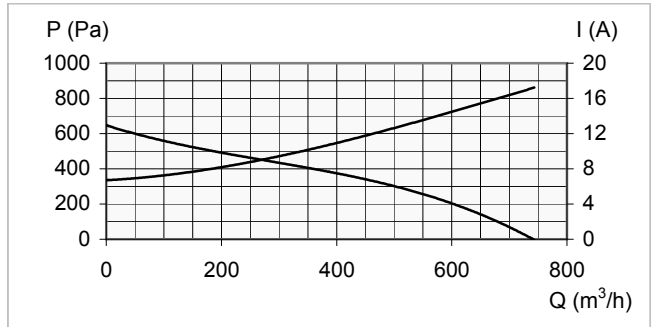
Features
High Pressure
Compact Design
High Efficiency

Options
PWM Speed Control
EMC (Certified)
Thermal Protector

12V

Part Number 6401822 THREE SPEED

Test Voltage	V	13,0
Nominal Current	A	17,0
Nominal Speed	rpm	4.150
Max. St. Pressure	Pa	650
Max. Airflow	m ³ /h	745
Weight	kg	1,5
Airflow Rates	%	100-68-53

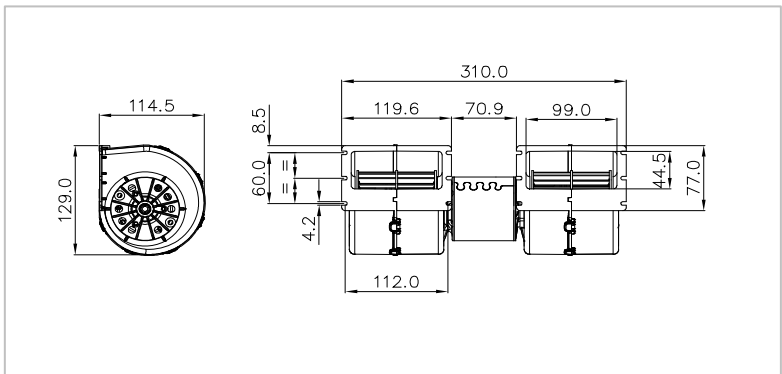
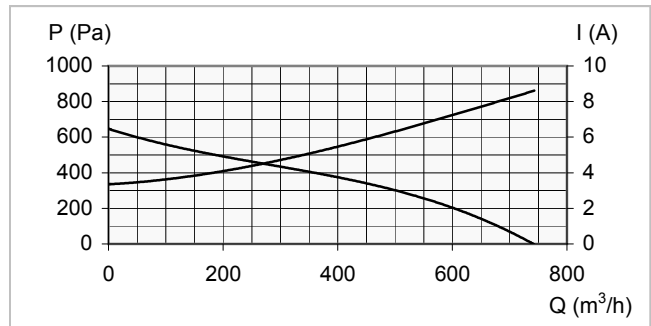


Relevant Codes :

24V

Part Number 6401823 THREE SPEED

Test Voltage	V	26,0
Nominal Current	A	8,5
Nominal Speed	rpm	4.150
Max. St. Pressure	Pa	650
Max. Airflow	m ³ /h	745
Weight	kg	1,5
Airflow Rates	%	100-68-53



Relevant Codes :