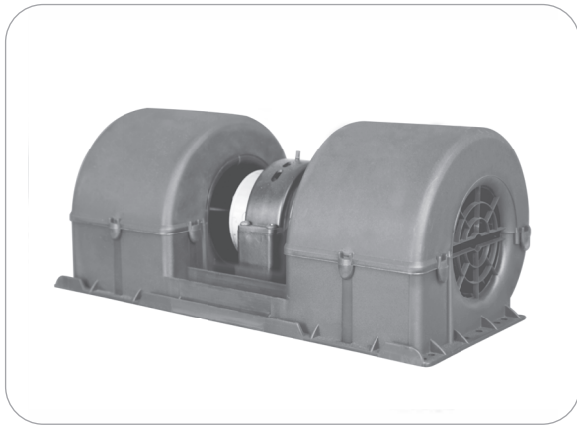
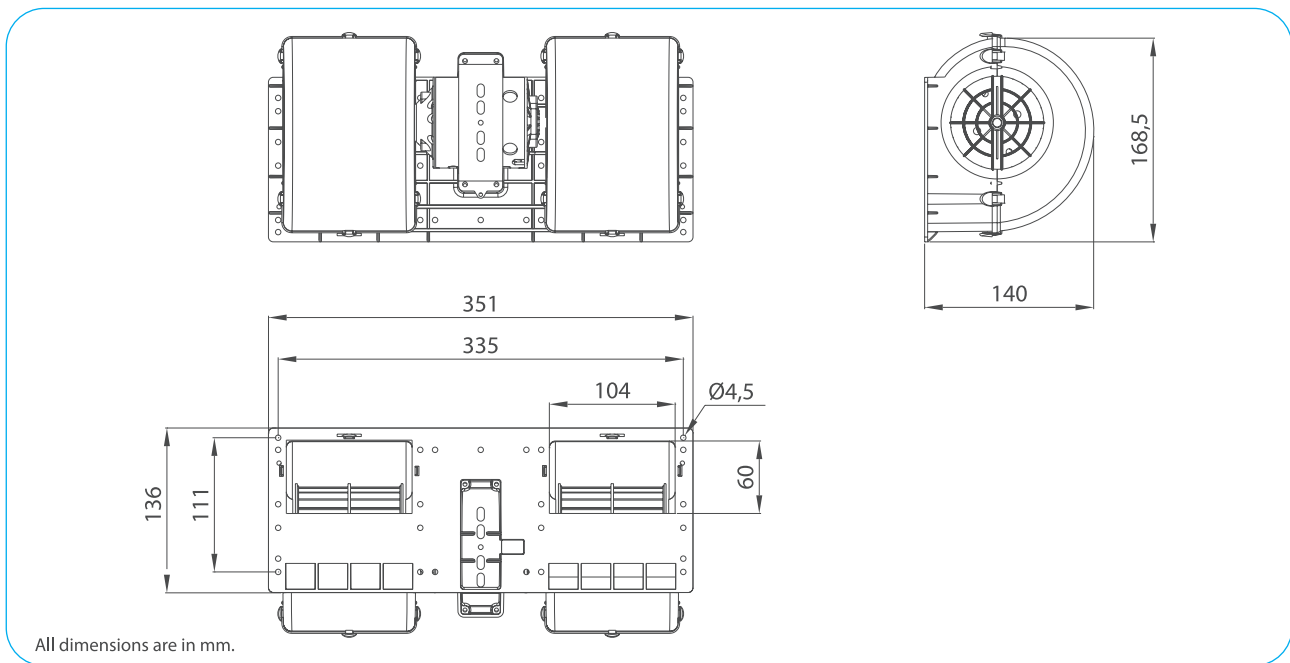


Part Numbers	Specifications	Applications	Features	Options
6401564 ONE SPEED	WIDTH 350 mm 1000 m³/h 12V	HVAC Systems	High Pressure Silent Operation High Efficiency	PWM Speed Control EMC (Certified) Thermal Protector (LL) Long Life Version



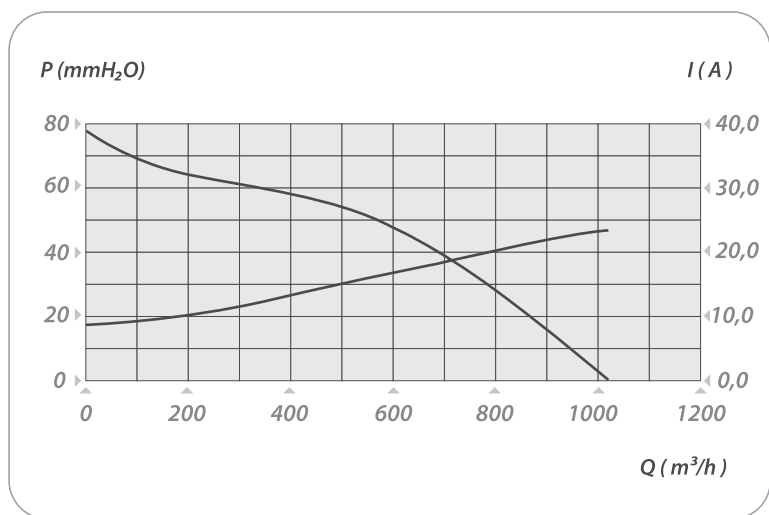
Test Voltage	V	13,0
Nominal Current	A	23,5
Nominal Speed	rpm	3.800
Max. St. Pressure	mmH ₂ O	80,0
Max. Airflow	m ³ /h	1.020
Weight	kg	2,0



All dimensions are in mm.

TEST VOLTAGE = 13,0 VDC	Static Pressure	Air Flow Rate	Current
	mm H ₂ O	m ³ /h	A
	0,0	1018,4	23,2
	5,0	988,5	22,8
	10,0	954,6	22,3
	20,0	869,1	21,0
	30,0	775,8	19,5
	40,0	698,6	18,1
	50,0	587,9	16,3
	60,0	334,0	11,8
70,0	115,5	8,9	
79,8	0,0	8,6	

Static Pressure: 1 mm H₂O = 0,04in H₂O = 9,8 Pa
Air Flow Rate: 1 m³/h = 0,59 cfm



DOUBLE BLOWERS